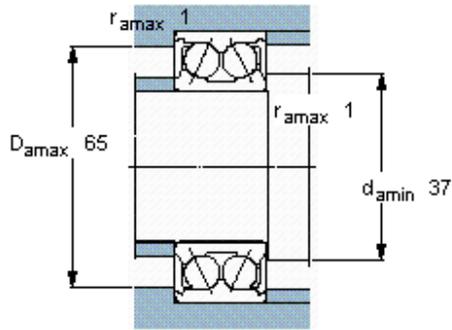
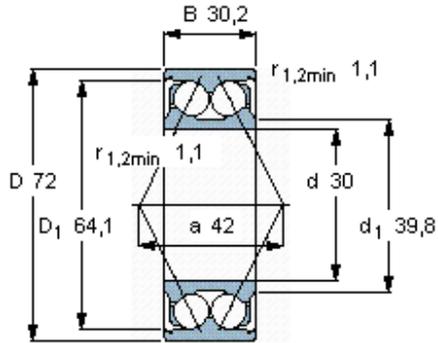


Angular contact ball bearings, double row

Principal dimensions			Basic load ratings		Speed ratings		Designation
d	D	B	dynamic C	static C0	Reference speed	Limiting speed	
mm			kN		r/min		* SKF Explorer bearing
30	72	30,2	41,5	27,5	9000	9000	3306 ATN9 *



Calculation factors

- k_r 0,07
- e 0,8
- X 0,63
- Y₁ 0,78
- Y₂ 1,24
- Y₀ 0,66